



PROJECT		REF		REV	ITEM CODE	
LOCATION		DATE			PAGE	

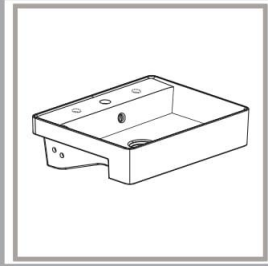
**SANITARY WARE SPECIFICATION SHEET**

<p><b>Item Descriptions</b></p> <p>American Standard (PRC) "Acacia SupaSleek " fine fire clay semi-counter washbasin including chrome plated press-action waste with ceramic cover ref. CC1511M9A009618</p>	<p><b>Illustration/ Drawing</b></p>
<p><b>Dimensions</b></p> <p>W450 x L550 x H169 mm (Overall)          W460 x L500 x H125 mm (Basin)</p>	
<p><b>Model</b></p> <p>CP-F419.001.04</p>	
<p><b>Material / Finish</b></p> <p>Fine Fire Clay / White</p>	
<p><b>Manufacturer</b></p> <p>American Standard (PRC)</p>	
<p><b>Source</b></p> <p>Acme Sanitary Ware Co. Ltd          Mr. Eric Wong/ Mr. Wilson Hung</p>	
<p><b>Contact Tel/Fax</b></p> <p>(852) 2388-7171 / (852) 2710-8012</p>	
<p><b>E-mail</b></p> <p>acme@acmesanitary.com.hk</p>	
<p><b>Website</b></p> <p>www.acmesanitary.com.hk</p>	
<p><b>Detail specifications</b></p> <p>Acacia SupaSleek          Semi Counter Basin (Single Tap Hole)          Design: Thin edge design          With overflow hole          Drainage with Ceramic Cover</p>	
<p><b>Features</b></p> <p>Design: Thin edge design          Overall Dimensions: W450mm x L550mm x H169mm          Basin Dimensions: W460mm x L500mm x H125mm          Material: Fine Fire Clay</p>	

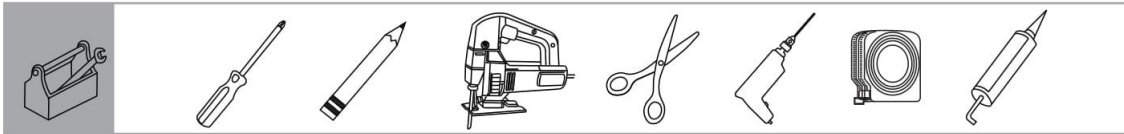
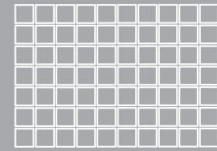
Note: New Code : CCASF419-1010411F0

\* All information of the above is for the reference only. No prior notice is made if any changes.

# CCASF419-101/ CCASF419-108

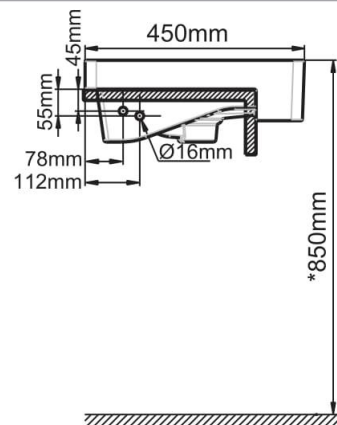
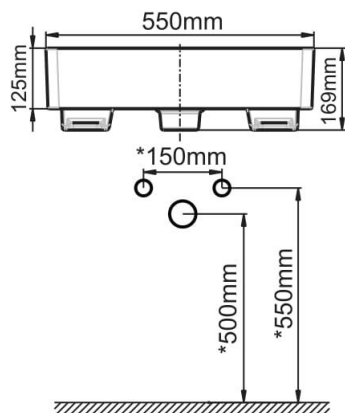
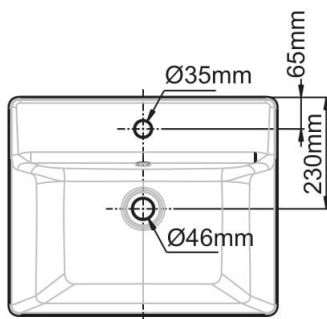
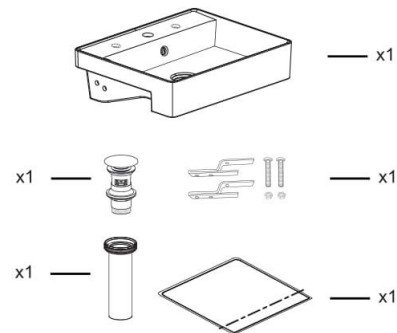
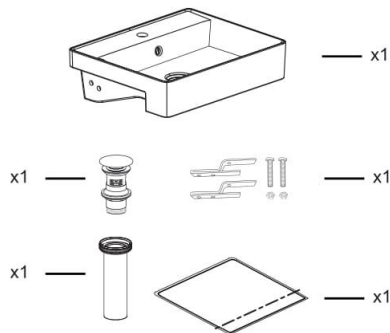


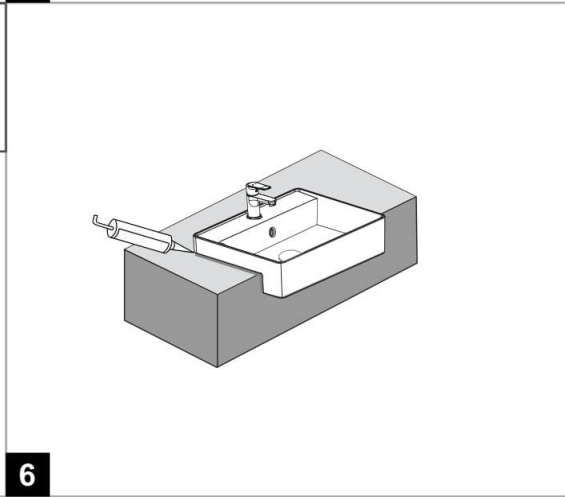
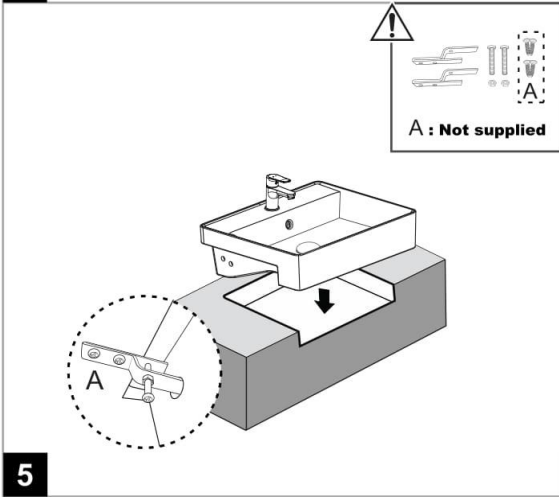
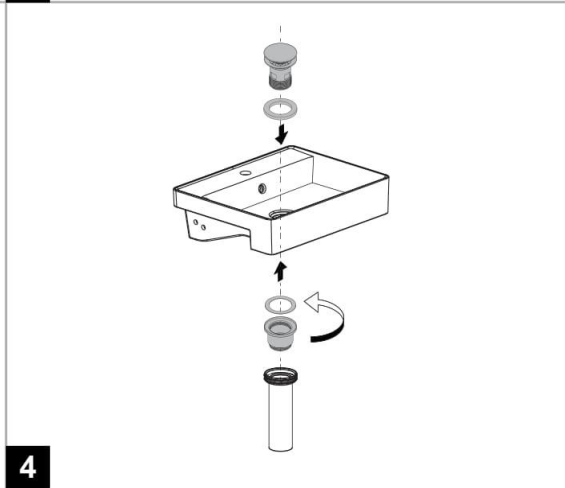
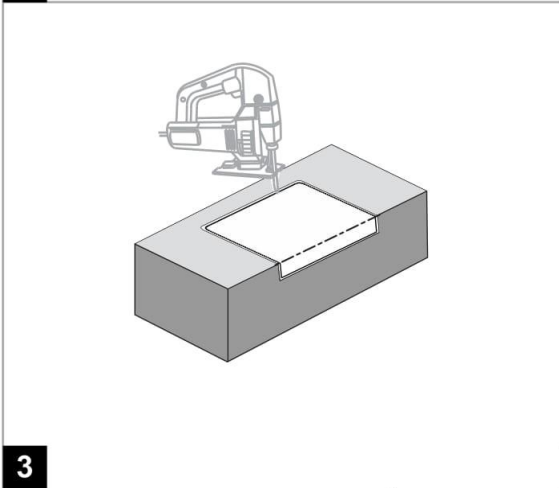
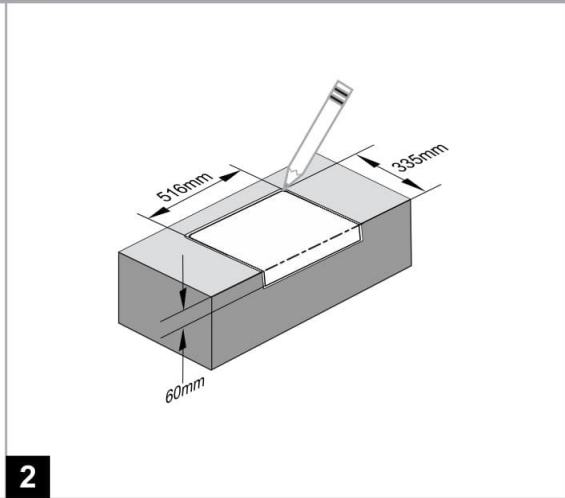
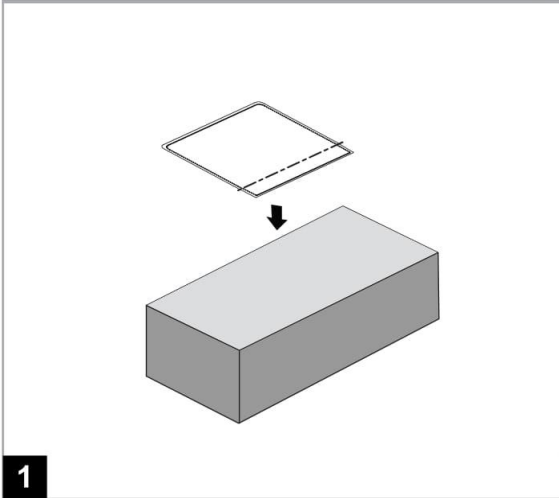
*American Standard*



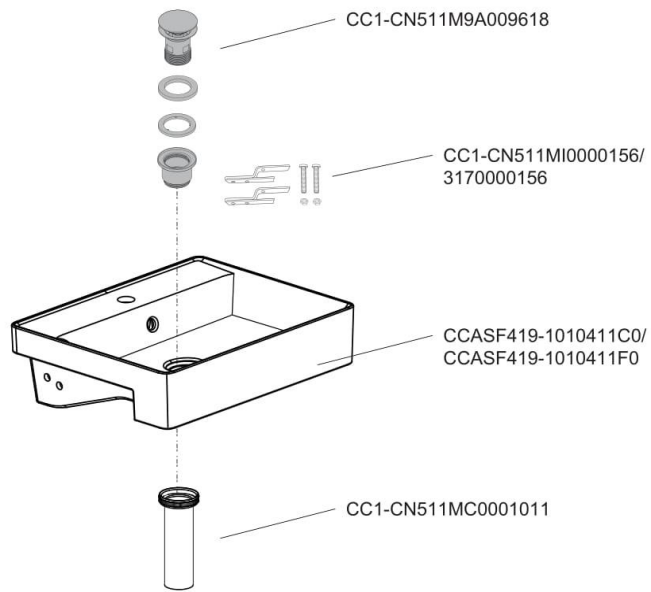
CCASF419-101

CCASF419-108

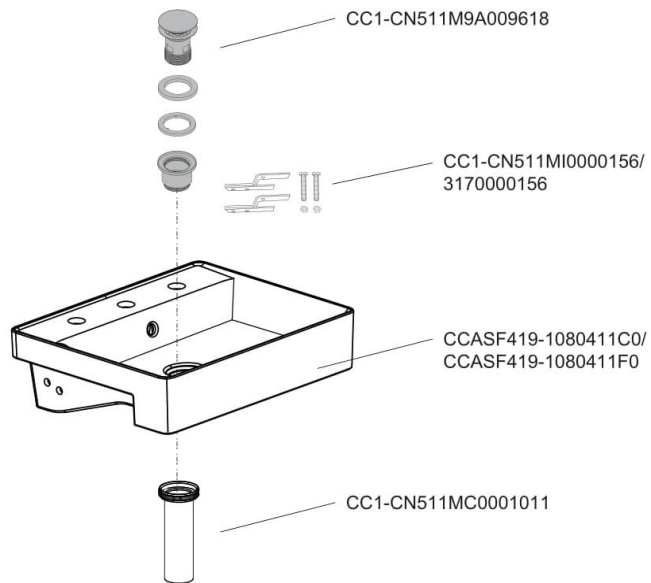




CCASF419-  
1010411C0/  
CCASF419-  
1010411F0



CCASF419-  
1080411C0/  
CCASF419-  
1080411F0



## CARE AND MAINTENANCE

Do not use harsh abrasives or caustic cleansers to clean fixture surface. A mild detergent, warm water, and a soft cloth will remove normal dirt and soap accumulations from fittings and surfaces. Rinse thoroughly after cleaning and polish with a soft dry cloth to restore original luster of material.

## 保養和清潔

不要用粗糙的研磨劑和腐蝕性的清洗器清潔產品表面。用溫和的清潔劑，溫和的水和一張軟布就可以將配件和產品表面的一般污漬和肥皂聚積物清除乾淨。在清洗之後用柔軟的乾布將產品表面擦乾使恢復原有的光澤。

## DISCLAIMER

Please carefully check whether you have received the drainage device CC1-CN511M9A009618, which is the designated accessory specially designed for this product. To ensure your use of product, we strongly recommend to install this designated device for the product. American Standard shall not be liable for any quality issues and losses including product damage and water leakage caused by the use of non-designated drainage devices.

## 免責聲明

請仔細檢查是否已收到專為本產品設計的指定配件——排水裝置CC1-CN511M9A009618。為保證產品的正常使用，我們強烈建議您為產品安裝該指定排水裝置。美標不負責客戶因安裝非指定排水裝置而造成的產品損壞、漏水等問題及相關損失。